

COVERAGE

Decorative Sprinkler Quick or Standard Response Sprinkler Concealed for Cleanroom



DESCRIPTION:

The sprinklers Model G5 seal provide fire protection for dust free environments while offering an attractive appearance and 3/4" (19mm) adjustment for easy installation. The small diameter gasketed cover plate assembly is easily and positively attached and blends into the ceiling, concealing the most dependable fire protection available, an automatic sprinkler system.

These sprinklers with a gasketed cover plate assembly are designed solely for use in dust free environments such as a clean room.

The gasketed cover plate assembly can be adjusted without tools to fit accurately on the ceiling. The fire protection system need not be shut down to adjust or remove the gasketed cover plate assembly.

TECHNICAL DATA:

Models	G5-56, G5-28, G5-42 & G5-80
Nominal "K" Factor	G5-56: 5,6 (80) G5-28: 2,8 (40) G5-42: 4,2 (60) G5-80: 8,0 (115)
Thread Size	G5-56, G5-28, G5-42: 1/2" NPT (R1/2)G5-80: 3/4" NPT (R3/4)
Nominal Orifice	G5-56: 1/2" (15 mm) G5-28: 3/8" (10 mm) G5-42: 7/16" (10 mm) G5-80: 17/32" (20 mm)
Total Adjustment	3/4" (19 mm)
Temperatures	165°F (74°C) 212°F (100°C)
Maximum Working Pressure	175 psi (12 bar)
Identificación	G5-56 G5-28 G5-42 G5-80
Finish ⁽¹⁾	Chrome or Polyester Coated

Data sheet:	33
REV:	00



OPERATION:

This sprinkler uses a proven quick response fusible element in a standard style sprinkler frame with a drop-down deflector. This assembly is recessed into the ceiling and concealed by a flat cover plate assembly.

When the ceiling temperature rises, the solder holding the flat cover plate melts, the flat cover plate released thus exposing the sprinkler inside to the rising ambient temperature.

INSTALLATION:

Model G sprinklers for clean room are standard response sprinklers intended for installation as specified in NFPA13. They must also be installed with the Model FC Sprinkler Wrench.

Install the cover plate by hand turning the cover in the clockwise direction until it is tight against the ceiling.

Cut a 2 5/8" inch (67mm) diameter hole in the ceiling.

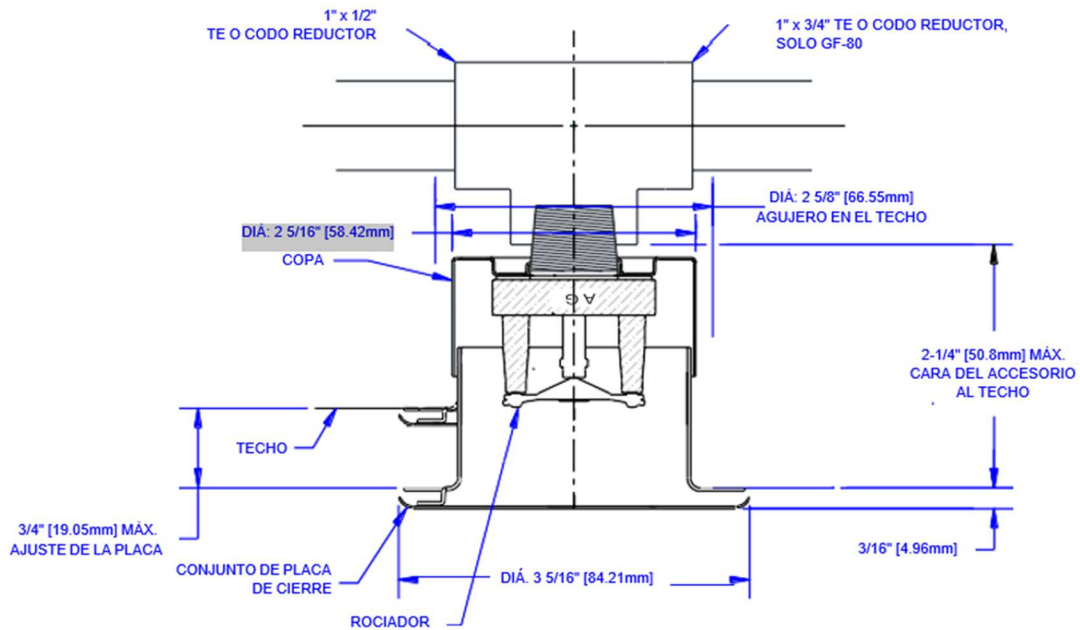
TEMPERATURE RATING:

Classification	Sprinkler temperature		Cover tape temperature		Maximum Ambient Temperature	
	°F	°C	°F	°C	°F	°C
Normal	165	74	135	57	100	38
intermediate	212	100	165	74	150	66

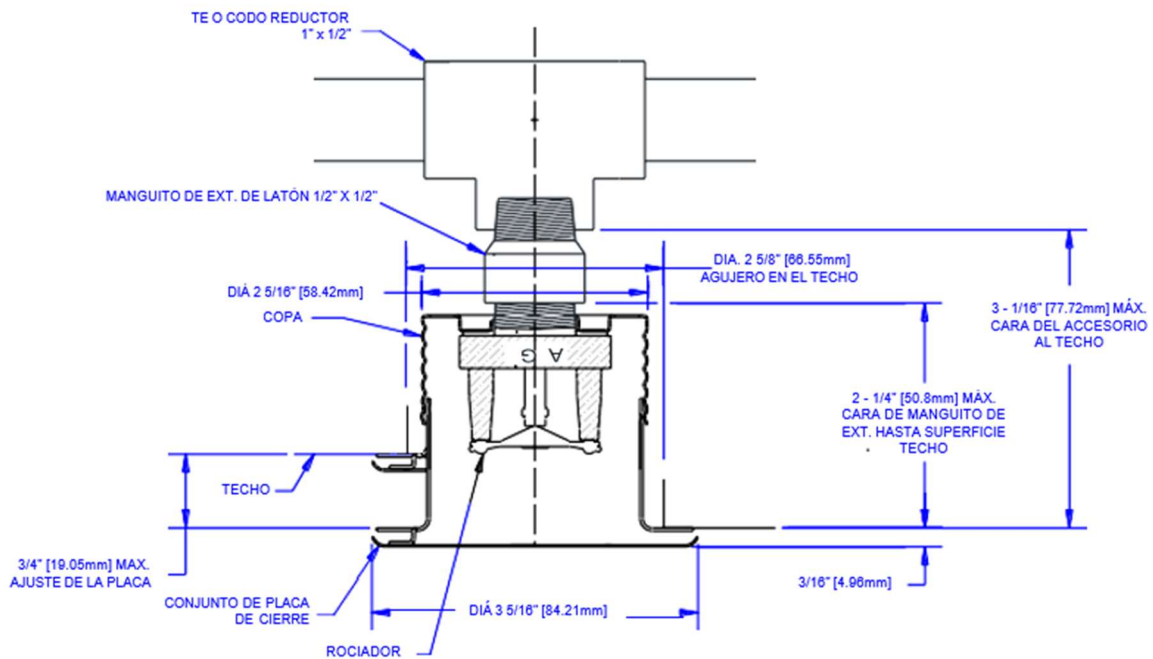
Data sheet:	33
REV:	00



DIMENSIONS:



COVE PLATE, $\frac{3}{4}$ " (19 mm) ADJUSTMENT



COVER PLATE, $\frac{3}{4}$ " (19 mm) ADJUSTMENT

Data sheet:	33
REV:	00