

# STANDAR COVERAGE

## Decorative Sprinkler Quick Response UL / Standard Response FM Concealed

### DESCRIPTION:

Model AGC-56 are the most versatile quick response concealed sprinklers available. It provides the best form of fire protection while offering an attractive appearance and 3/4" (19mm) of cover adjustment for ease of installation. The small diameter cover plate assembly is easily attached and blends into the ceiling, concealing the most dependable fire protection available, an automatic sprinkler system.

These sprinklers are designed for use where aesthetic appearance is important.



### TECHNICAL DATA:

Nominal "K" Factor	5,6 (80)
Thread Size	1/2" NPT (R1/2)
Nominal Orifice	1/2" (15 mm)
Total Adjustment	3/4" (19 mm)
Temperatures	165°F (74°C) 212°F (100°C)
Maximum Working Pressure	175 psi (12,1 bar)
Finish <sup>(1)</sup>	Chrome or Polyester Coated

### OPERATION:

This sprinkler uses a proven quick response fusible element in a standard style sprinkler frame with a drop-down deflector. This assembly is recessed into the ceiling and concealed by a flat cover plate assembly.

When the ceiling temperature rises, the solder holding the flat cover plate melts, the flat cover plate released thus exposing the sprinkler inside to the rising ambient temperature.

### INSTALLATION:

Model AGC-56 sprinklers are standard response sprinklers intended for installation as specified in NFPA13. They must also be installed with the Model FC Sprinkler Wrench specifically designed.

Install the cover plate by hand turning the cover in the clockwise direction until it is tight against the ceiling. Cut a 2 5/8" inch (67mm) diameter hole is cut in the ceiling.

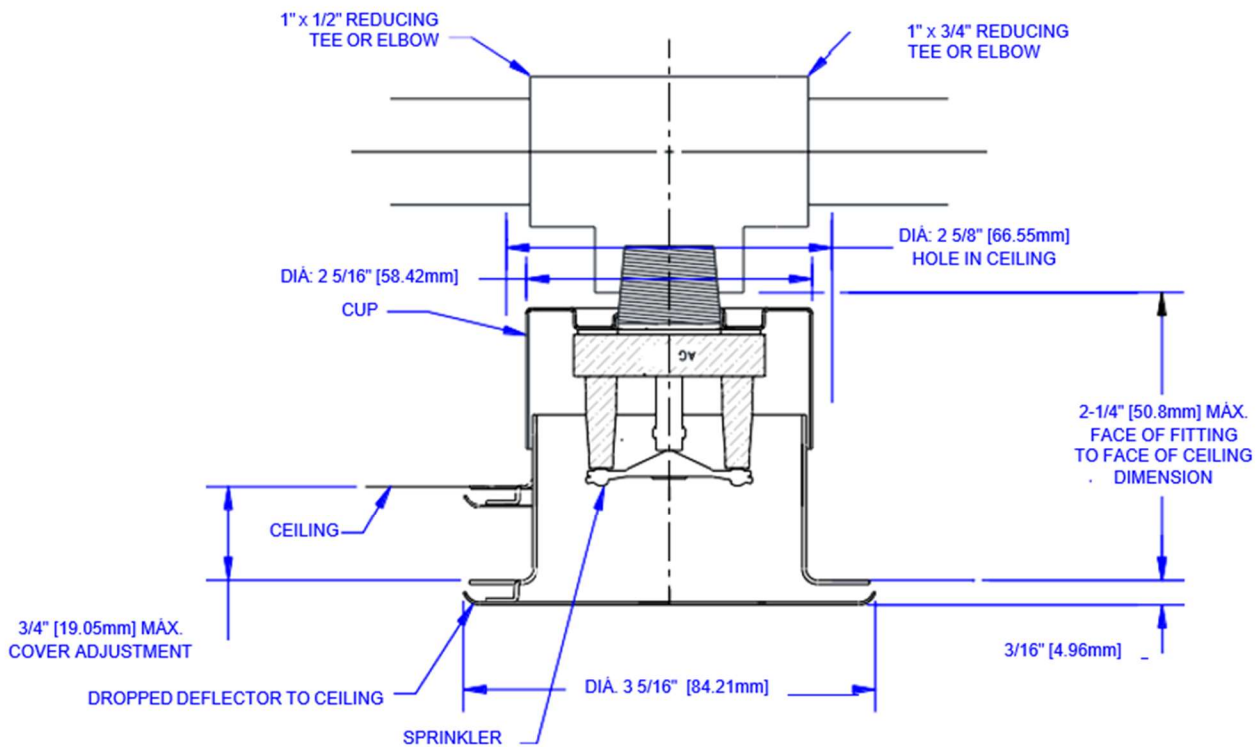
Data sheet:	10
REV:	00



## TEMPERATURE RATING:

Classification	Sprinkler Temperature		Cover Tape Temperature		Maximum Ambient Temperature	
	°F	°C	°F	°C	°F	°C
Normal	165	74	135	57	100	38
Intermediate	212	100	165	74	150	66

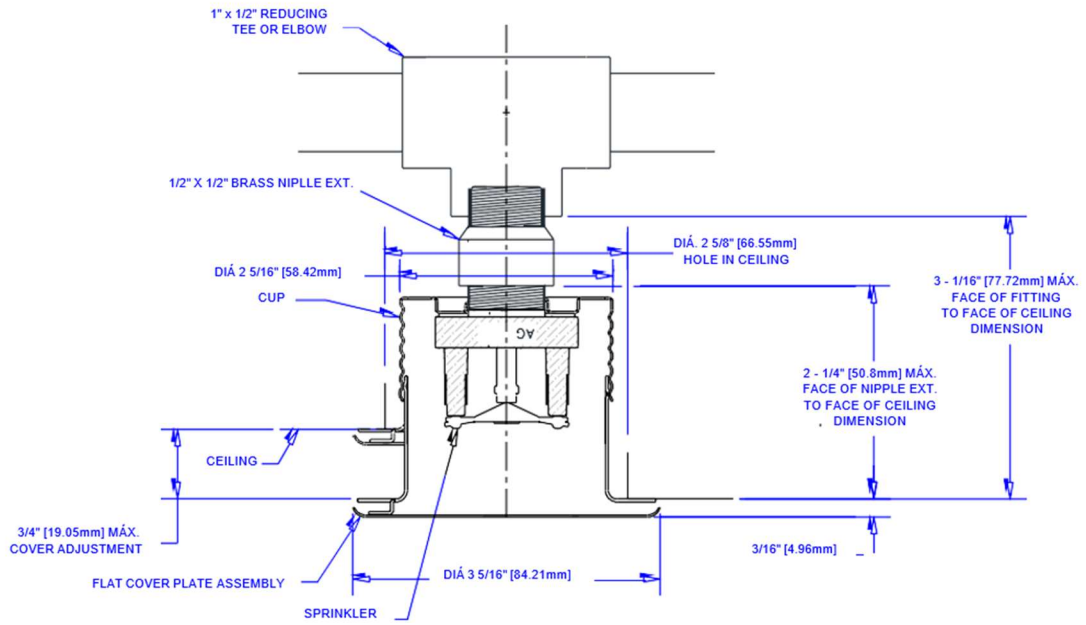
## DIMENSIONS:



COVER PLATE, 3/4" (19 mm) ADJUSTMENT

Data sheet:	10
REV:	00





COVER PLATE, 3/4" (19 mm) ADJUSTMENT

Data sheet:	10
REV:	00

