

DRY SPRINKLER

Quick Response Sprinkler Recessed Pendent & Pendent



DESCRIPTION:

They are intended for use in dry and preaction systems to protect areas subjected to freezing temperatures and unheated portions inside and outside buildings.

The Model DH56 is a horizontal sidewall dry sprinkler intended for installation in light hazard occupancies in accordance with NFPA 13. These sprinklers are designed to provide fire protection in long and narrow spaces such as hallways, corridors, decks and rooms up to 28 feet (8,5m) wide and 10 feet (3m) long.

Thermosensitive glass bulb 3 mm is used. The bulb contains a special liquid hermetically sealed in a glass capsule.

TECHNICAL DATA:

Nominal "	5,6 (80 metric)
Thread Size	1" NPT (ANSI B2.1) / ISO 7-R1 (Optional)
Nominal Orifice	½" (15 mm)
Temperatures	135°F (57°C) 155°F (68°C) 175°F (79°C) 200°F (93°C) 286°F (141°C)
Maximum Working Pressure	175 psi (12 bar)
"A" dimension	F3QR: 2" to 48" (51 to 1219mm) in ¼" (6mm) increments F3QR HB y F3QR FP: 3 ½" to 48" (89 to 1219mm) in ¼" (6mm) increments
Finishes ⁽¹⁾	Bronz e Chro me Polyester coated ⁽²⁾

COVERAGE AREA		
Maximum Coverage Area (Width x Length) ft x ft (m x m)	Flow Rate gpm (L/min)	Pressure psi (bar)
28 x 8 (8.5 x 2.4)	23 (87.1)	16.9 (1.2)

Data sheet:	02
REV:	00



OPERATION:

At normal temperatures, the glass bulb contains the fluid in both the liquid phase and the vapor phase. The vapor phase can be seen as a small bubble. As heat is applied, the liquid expands forcing the bubble smaller and smaller as the liquid pressure increases. Continued heating forces the liquid to push out against the bulb, causing to shatter, opening the waterway and allowing the deflector to distribute the discharging water.

INSTALLATION:

Model DH56 dry sprinklers must be installed only in standard (ANSI B 16.3 class 150 and ANSI B 16.4 class 125) pipe tees in the horizontal position, even at branch line ends. They should not be installed into elbows or pipe couplings located on drop nipples to the sprinklers. For these and other fittings including CPVC, the dry sprinkler should be installed into a fitting to allow protrusion into the fitting in accordance with the diagrams.

The "A" dimension of the dry sprinkler, which extends into a freezing zone from wet pipe systems, should be selected to provide, as a minimum, the specified lengths in the "Dimensions" section.

A leak tight ½" NPT (R1/2) sprinkler joint can be obtained with a torque of 8-18ft-lbs (10.8- 24.4N-m). Do not tighten sprinklers over maximum recommended torque. It may cause leakage or impairment of these sprinklers.

The sprinklers come with an orange protection, to avoid breakage during assembly. Remove this protection once installed and made sure that everything is correct. The AG Sprinkler Wrenches are designed to install sprinklers with the protection still.

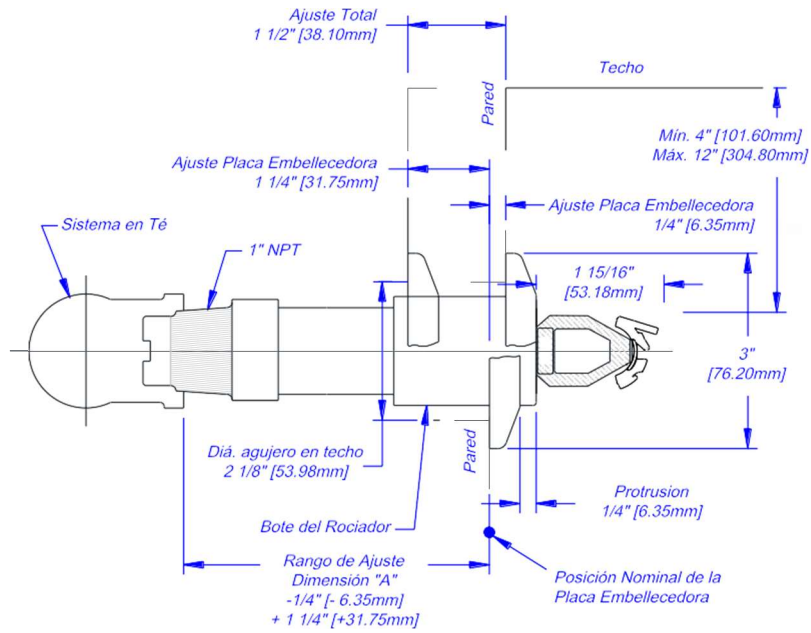
TEMPERATURE RATING:

Classification	Nominal Temperature		Max. Ambient Temperature		Bulb Color
	°F	°C	°F	°C	
Ordinary	155	68	100	38	Red
Intermediate	175	79	150	66	Yellow
Intermediate	200	93	150	66	Green

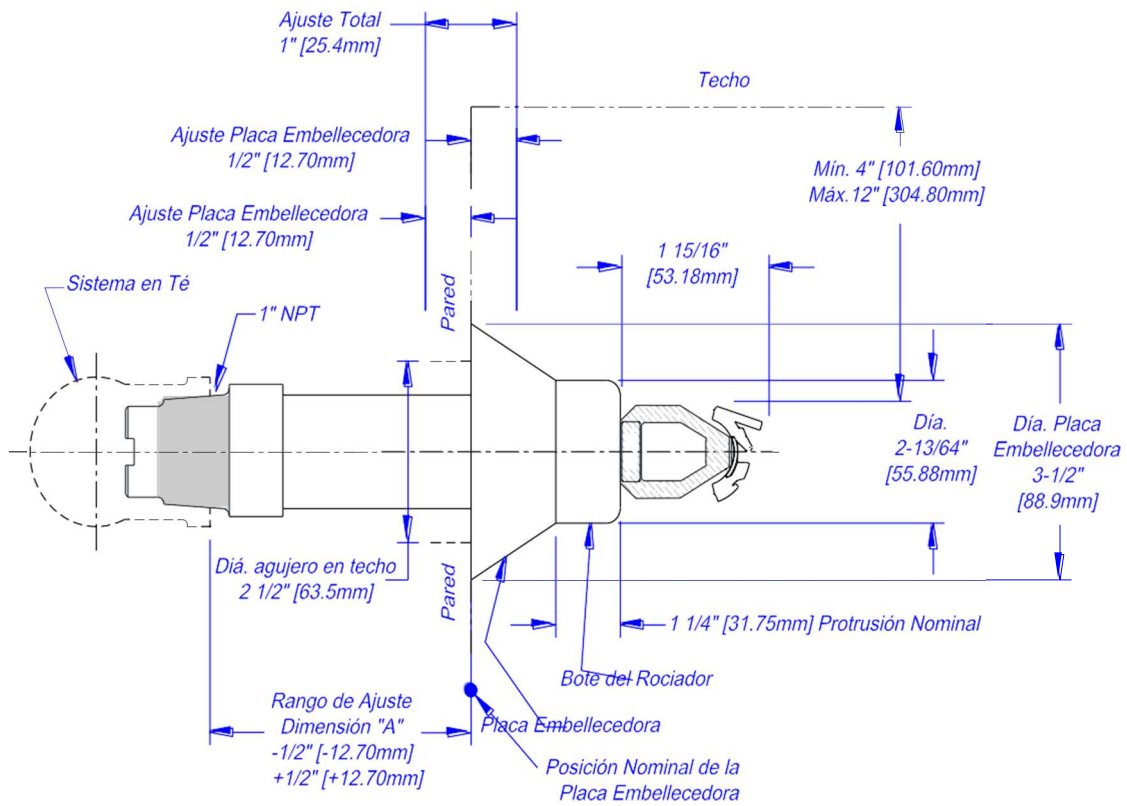
Data sheet:	02
REV:	00



DIMENSIONS:



MODELLO DH56 HSW DRY HORIZONTAL



MODELLO DH56 HB DRY HORIZONTAL

Data sheet:	02
REV:	00

