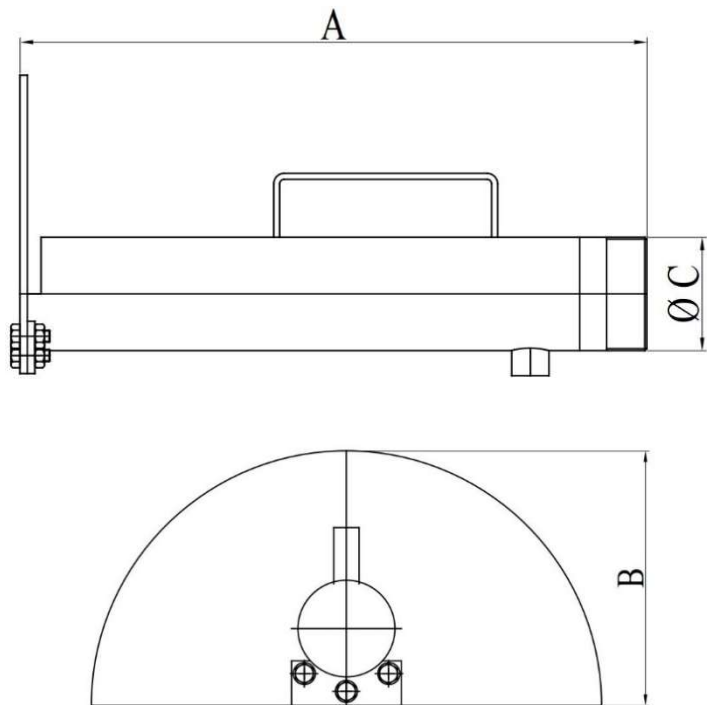


TECNICAL SHEET LVT

■ ■ Schermo Idrico cod. LVT



Technical data

Standard version: fixed installation
 Input: threaded, grooved, UNI-BS jointed
 Working pressure: from 5 bar
 Models with different flow rates on request

Materials

Body, flanges and diffuser: s.s. AISI 304 (B2), s.s. AISI 316 (B3)

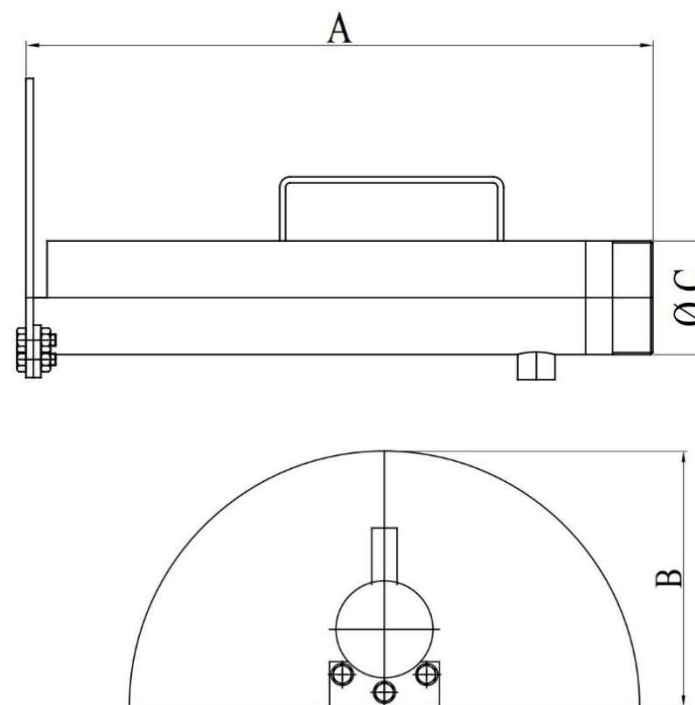
Finishing

Brushed surface finish

Optionals

Portable version with carrying handles and support foot

🇬🇧 Water Curtain Nozzle cod. LVT



Technical data

Standard version: fixed installation
 Input: threaded, grooved, UNI-BS jointed
 Working pressure: from 5 bar
 Models with different flow rates on request

Materials

Body, flanges and diffuser: s.s. AISI 304 (B2), s.s. AISI 316 (B3)

Finishing

Brushed surface finish

Optionals

Portable version with carrying handles and support foot



www.firing.it



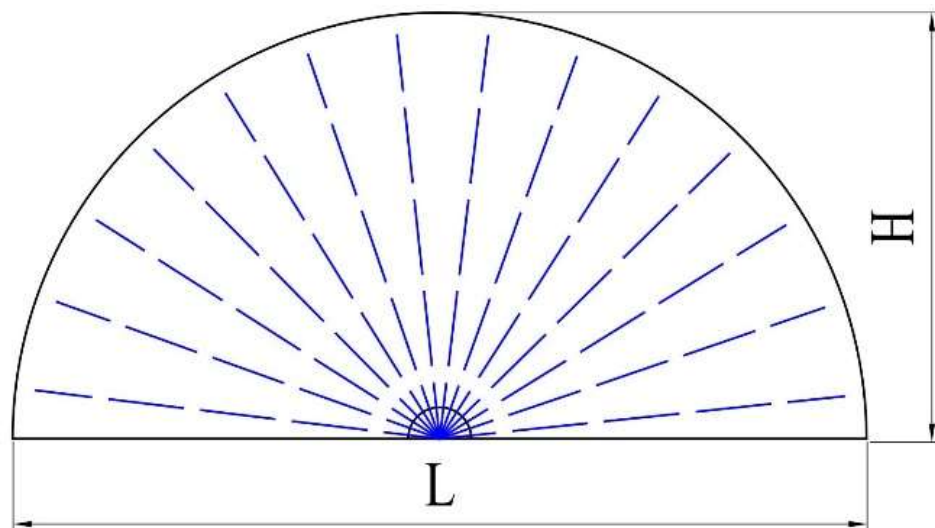
N° SCHEDA	26
PRODUCT COD	LVT
REV.	0

TECNICAL SHEET LVT

Modello Model		A (mm)	B (mm)	C	Peso - Weight Kg
standard	LVT 150	160	300	1" 1/2	3,8
a richiesta	LVT 200	160	300	2"	4,5
	LVT 250	200	420	2" 1/2	6,0

Pressione Pressure (bar)	Portata Flow rate (lpm)	L (mt)	H (mt)
1	288	15	5,0
3	500	18	5,5
5	650	21	6,5
7	750	23	7,5

Mod. LVT (standard)



FIRING

www.firing.it



N° SCHEDA	26
PRODUCT COD	LVT
REV.	0

TECNICAL SHEET LVT



Il presente prodotto è conforme alle specifiche tecniche indicate nelle norme:
UNI EN 14816:2009 Installazioni fisse antincendio – Sistemi spray ad acqua a diluvio fissi, interni e esterni a edifici, impianti industriali e altre strutture
UNI EN 13565-2:2009 Sistemi fissi di lotta contro l'incendio - Sistemi a schiuma
NFPA 11:2010 Standard for Low, Medium, and High - Expansion Foam

NFPA 15:2007 Standard for Water Spray Fixed Systems for Fire Protection

NFPA 16:2011 Standard for the Installation of Foam -Water Sprinkler and Foam -Water Spray Systems

FIRING S.r.l. si riserva il diritto di apportare modifiche ai prodotti al fine di migliorarne le prestazioni o che si rendano necessarie ai fini della sicurezza, per soddisfare le specifiche di prodotto e/o per conformarsi ai requisiti di legge, norme o regolamenti applicabili.



This product complies with the technical specifications indicated in the standards:

UNI EN 14816:2009 Installazioni fisse antincendio – Sistemi spray ad acqua a diluvio fissi, interni e esterni a edifici, impianti industriali e altre strutture
UNI EN 13565-2:2009 Sistemi fissi di lotta contro l'incendio - Sistemi a schiuma
NFPA 11:2010 Standard for Low, Medium, and High - Expansion Foam

NFPA 15:2007 Standard for Water Spray Fixed Systems for Fire Protection

NFPA 16:2011 Standard for the Installation of Foam -Water Sprinkler and Foam -Water Spray Systems

FIRING S.r.l. reserves the right to make changes to the products in order to improve their performance or to become necessary for safety purposes, to meet product specifications and / or to comply with applicable legal requirements, rules or applicable regulations.



FIRING

www.firing.it



N° SCHEDA	26
PRODUCT COD	LVT
REV.	0