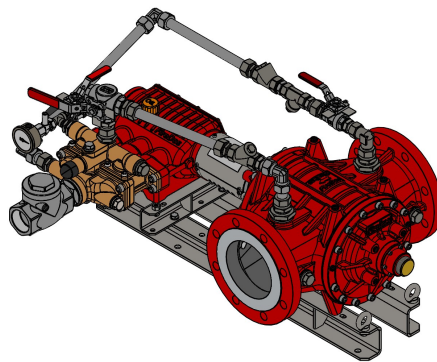


■ DATA SHEET PROPORTIONER FD4000 GEN III FOR STATIONARY EXTINGUISHING SYSTEMS.



■ 1. TECHNICAL DATA.

Type	FD4000/1-S	FD4000/3-S
Proportioning rate	1 %	3 %
Approvals	-	
Flow directions of water motor	Horizontal: "left → right" or "right → left"	
	Vertical: "top → bottom" or "bottom → top"	
Min. water flow rate ¹⁾	240 l/min	270 l/min
Max. water flow rate	4000 l/min	
Operating temperature ²⁾	5° C – 50° C (standard version)	
	5° C – 80° C (HT version) ^{x)}	
Storage temperature	-20° C – 80° C	
Max. operating pressure	16 bar	
Weight ³⁾		
Freshwater version	111 kg	168 kg
Seawater version ^{x)}	188 kg	245 kg
ATEX classification ^{x)}	on request	

1) The nominal proportioning rate is achieved when reaching the specified figure. Indication for proportioning of fluid Newtonian foam agents at operating pressure of 5 bar. For more detailed information, refer to page 2, item 3. "Minimum water flow rate".

2) Indication of operating temperature covers the permissible ambient and medium temperature. Permissible foam agent temp. is generally limited to 50°C.

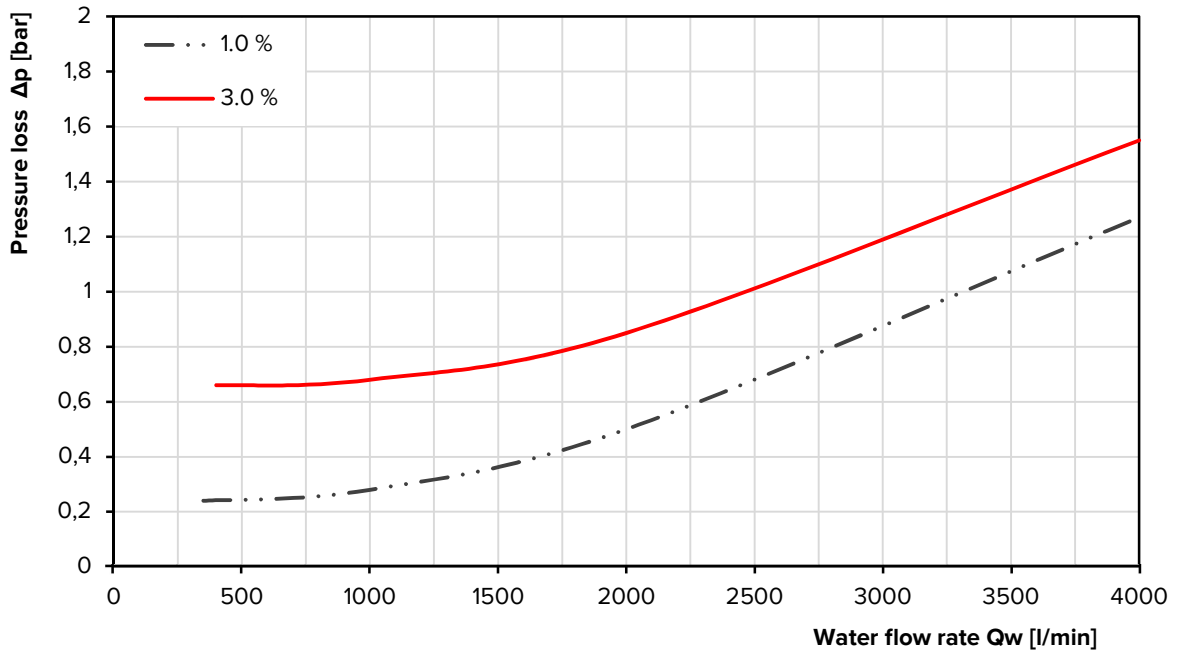
3) Weight indications are based upon standard version, without extinguishing water or foam agent. Special versions result in a different weight.

x) Optional equipment.



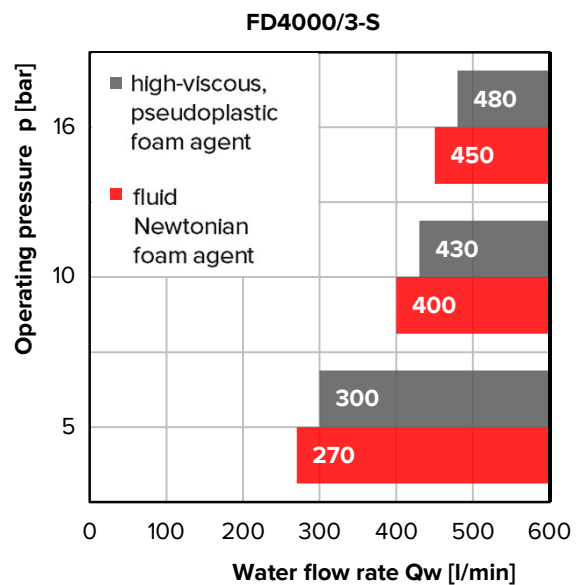
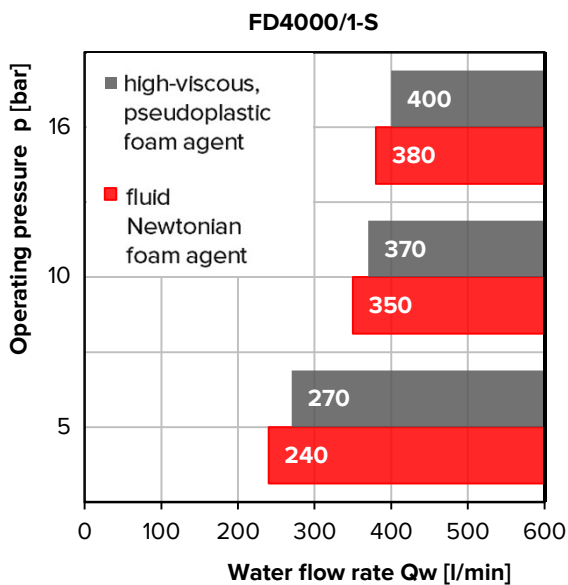
2. PRESSURE LOSS.

Indication valid for operating pressure of 10 bar. For more information on different system conditions, please contact us.



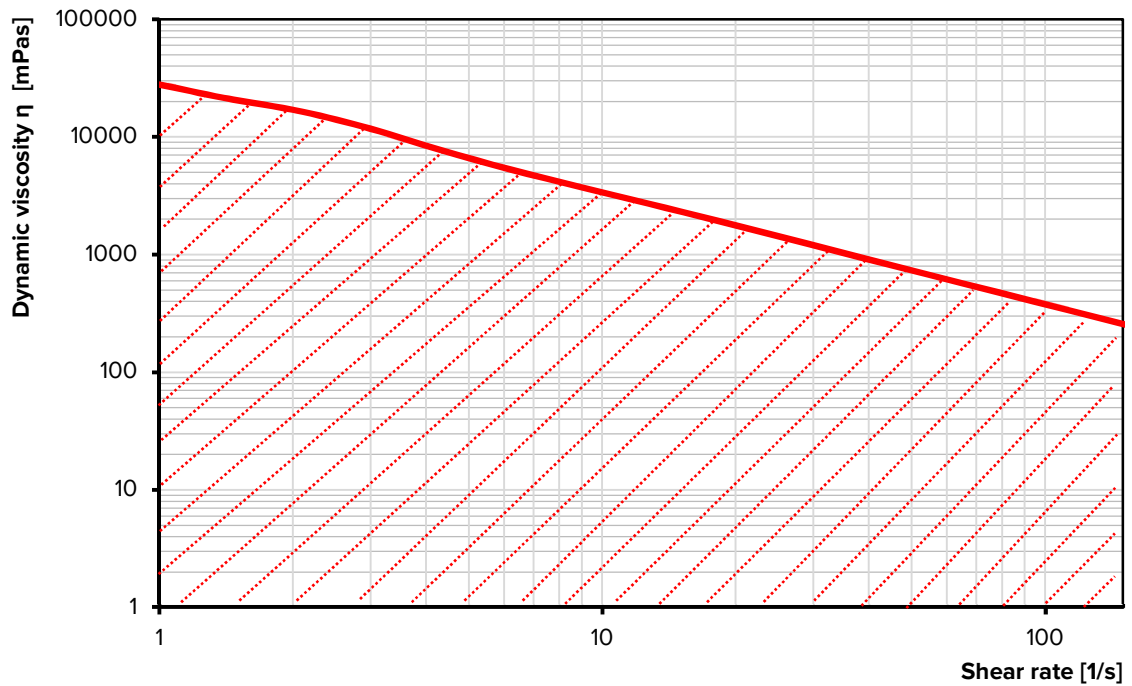
3. MINIMUM WATER FLOW RATE.

The following diagrams show the correlation of operating pressure / foam agent viscosity and minimum water flow rate.



4. FOAM AGENT VISCOSITY.

FireDos proportioners are suitable for all foam agents available on the market. As a reference, please find a viscosity range below. Contact us for specific considerations if your viscosity is higher than the values in the diagram or for the correct dimensioning of the suction line.

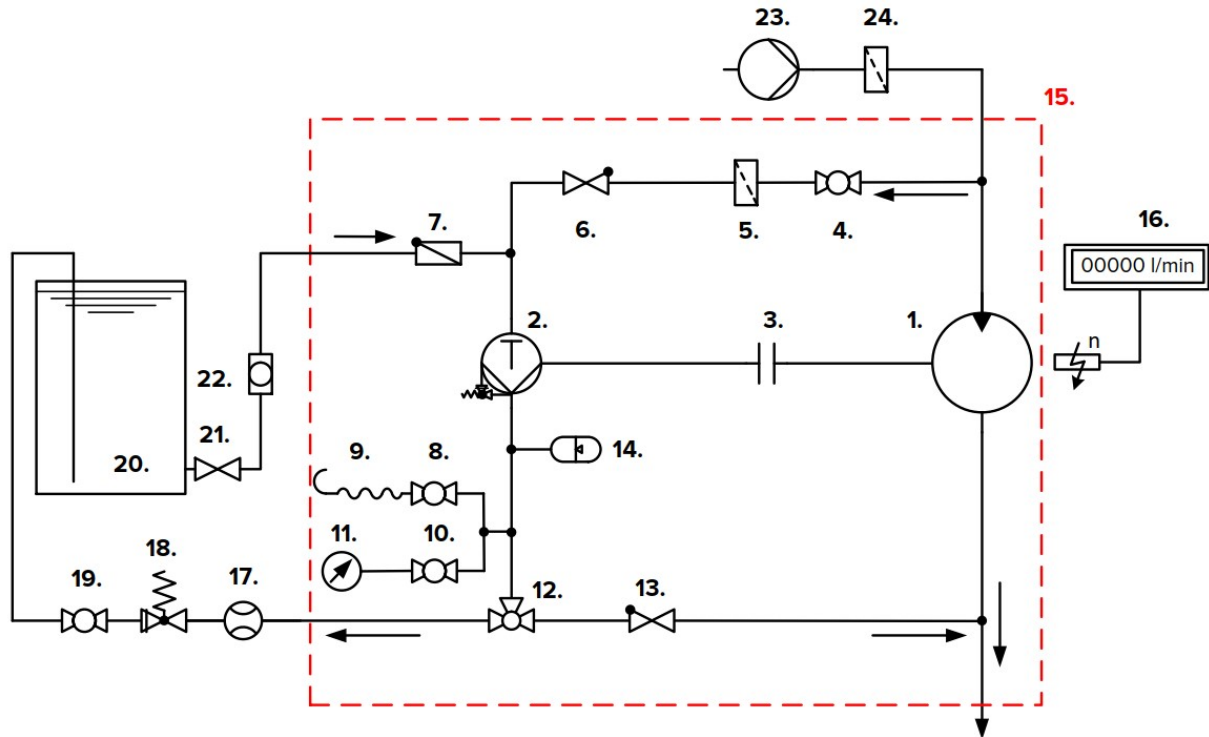


5. MATERIALS.

	Freshwater version	Seawater version
Water motor ⁴⁾	Cast Aluminium G-AlSi7Mg HC-coated, AlMgSi1 HC-PTFE-coated, stainless steel 316 / 316Ti, POM, PVDF, NBR, FKM	Cast Bronze G-CuSn10, stainless steel 316 / 316Ti, Aluminium-Bronze CuAl10Fe5Ni5-C-GC, POM, PVDF, NBR, FKM
Prop. pump ⁴⁾	Stainless steel 316 / SS316Ti, POM, FKM, Aluminium oxide ceramic Al2O3, Aluminium-Bronze CuAl10Ni5Fe5-C-GC	
Pipework ⁴⁾	Stainless steel 316 / CF8M / SS316Ti, PTFE,	
Support frame	Stainless steel 304 / 316	

⁴⁾ media-exposed materials

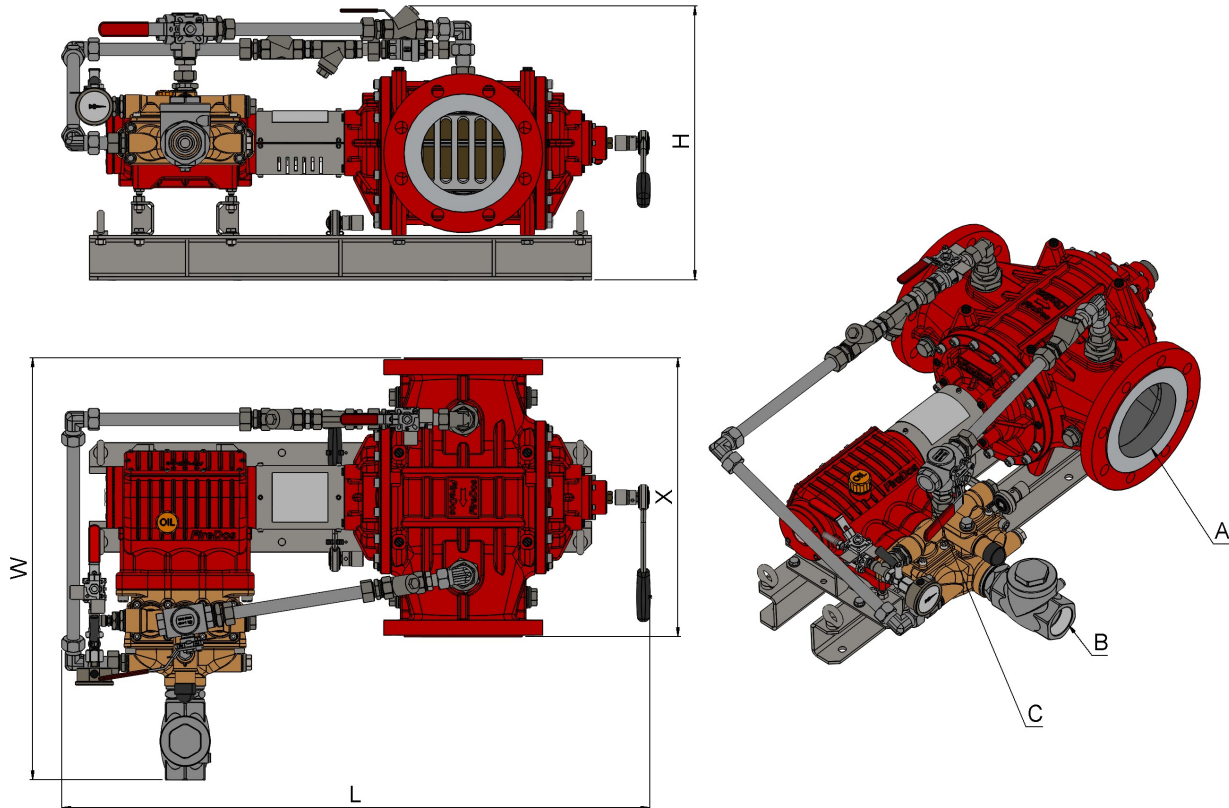
■ 6. FLOW DIAGRAM.



- | | |
|--|---|
| 1. Water motor | 13. Check valve in the proportioning line |
| 2. Proportioning pump | 14. Pulsation damper |
| 3. Coupling | 15. Standard scope of supply of FireDos proportioner |
| 4. 2-way ball valve "Flushing/Priming" | 16. Revolution counter with flow meter ^{x)} |
| 5. Filter in the flushing line | 17. Flow meter for return line ^{x)} |
| 6. Gate valve in the flushing line | 18. Pressure retention valve for return line ^{x)} |
| 7. Non-return flap in the suction line | 19. 2- way ball valve in return line ^{x)} |
| 8. Air bleed valve | 20. Foam agent supply |
| 9. Air bleed hose | 21. Gate valve in the suction line |
| 10. Pressure gauge check valve | 22. Sight glass in the suction line |
| 11. Pressure gauge | 23. Extinguishing water supply |
| 12. 3-way ball valve "Returning/Proportioning" | 24. Water filter |

^{x)} Special version

7. EXAMPLE FIGURE / DIMENSIONS.



Type	FD4000/1-S	FD4000/3-S
Proportioning rate	1 %	3 %
Connection water motor A	Optionally: flange DIN EN 1092-1, DN150 PN16 flange ASME B16.5, 6" Class 150	
Installation length water motor X ⁵⁾	500 mm	
Connection suction line B	2" FT BSP	2.1/2" FT BSP
Connection return line C	1" FT BSP	1.1/4" FT BSP
Length L ⁵⁾	1060 mm	1200 mm
Height W ⁵⁾	760 mm	860 mm
Width H ⁵⁾	500 mm	550 mm

All figures are approximate only and depend on the particular version/equipment options.

5) Further accessories to the proportioner may require more installation space
Please allow sufficient accessibility of the proportioner for maintenance work.

8. MANUFACTURER.

FireDos GmbH, Auf der Kaulbahn 6, 61200 Woelfersheim, Germany
Phone +49 (0) 6036 9796-0, Email: info@firedos.de

We reserve the right to make modifications at any time.